

# ALUMINIUM SOUND PROJECTOR

DO3-51-3006-PA20FV-V140605

Page 1/1

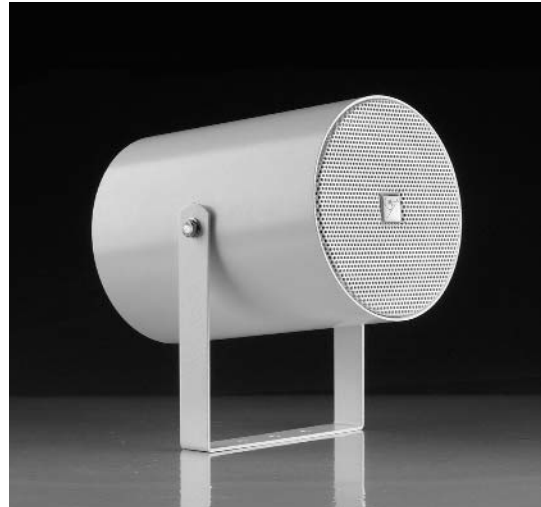
PA20FV

Code 3006

SPECIFICATIONS SUBJECT TO MODIFICATIONS

## DESCRIPTION

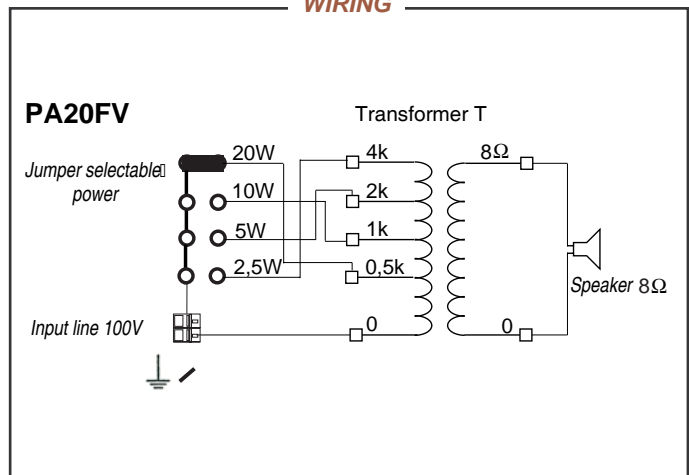
- Extruded cylindrical white painted aluminium.
- Wide band speaker.
- Impregnated low insertion loss multi-taps transformer.
- Fitted with fibreglass membrane speaker.
- Ideal for music, speech and Emergency messages.
- Suitable either for Indoor or Outdoor use.



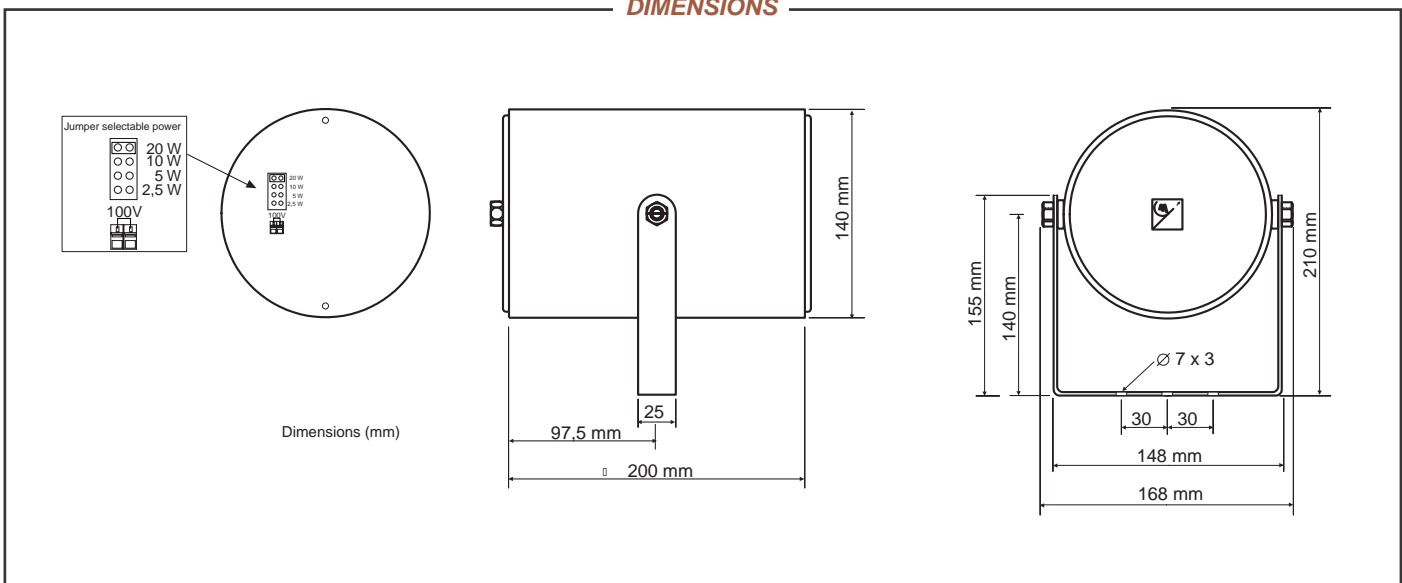
## TECHNICAL SPECIFICATIONS

Nominal Power (100V)	Watts	20
Maximum Power	Watts	30
Frequency response	Hertz	90-12000
SPL <sub>(Lp max)</sub> 1W/1m	dB	92
SPL <sub>(Lp max)</sub> 20W/1m	dB	105
Connection	Terminals	
Jumper power Selector (100V)	Watts	20/10/5/2,5
Impédances	Ohms	0,5/1/2/4k
Pack dimensions : WxHxD	mm	160x250x155
Pack Weight	Kg	2,5

## WIRING



## DIMENSIONS



**MERLAUD**

9 rue de La Briqueterie - P.A.E. des FAUVETTES - 95330 DOMONT (FRANCE)

Tel. 01 39 91 77 78 - Fax 01 39 91 90 66 - [www.merlaud.com](http://www.merlaud.com) - [merlaud@merlaud.com](mailto:merlaud@merlaud.com)