

# TILTING CEILING SPEAKER

DO3-51-FPE12T-V131202

Page 1/1

**FPE12T**

**Code 2332**

## DESCRIPTION

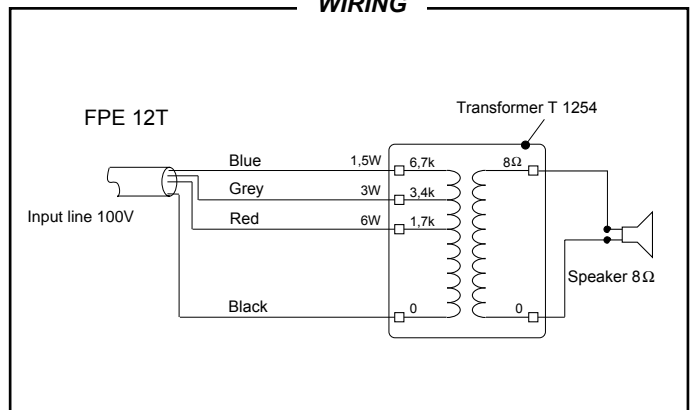
- Aesthetic and efficient ceiling speakers.
- Flush mounted ABS moulded cabinets.
- Dual cones wide band silicon treated speaker.
- Impregnated low insertion loss multi-taps transformer.
- White RAL 9010 epoxy coated sheet steel chassis.
- Tool free easy spring ceiling mounting.
- Tilting ABS moulded spherical cabinet:



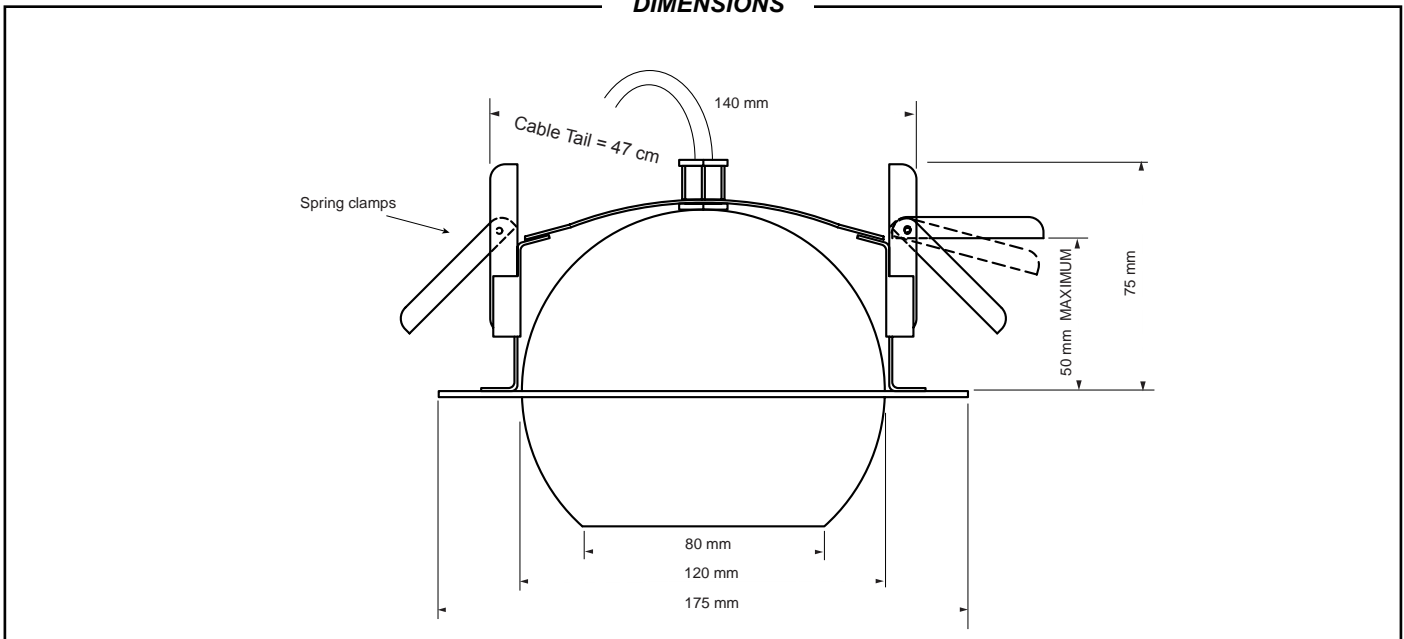
## TECHNICAL SPECIFICATIONS

Nominal Power (100V)	Watts	6
Maximum Power	Watts	10
Frequency response	Hertz	150-20000
SPL (max) 1W@1m	dB	88-(96)
Connection	4 Wires cable	
Power Selector (100V)	Watts	6/3/1,5
Impédances	Ohms	1,7/3,4/6,7K
Pack dimensions : WxHxD	mm	185x160x185
Pack Weight	Kg	1

## WIRING



## DIMENSIONS



**MERLAUD**

9 rue de La Briqueterie - P.A.E. des FAUVETTES - 95334 DOMONT CEDEX (FRANCE)  
 Tel. 01 39 91 77 78 - Fax 01 39 91 90 66 - [www.merlaud.com](http://www.merlaud.com) - [merlaud@merlaud.com](mailto:merlaud@merlaud.com)